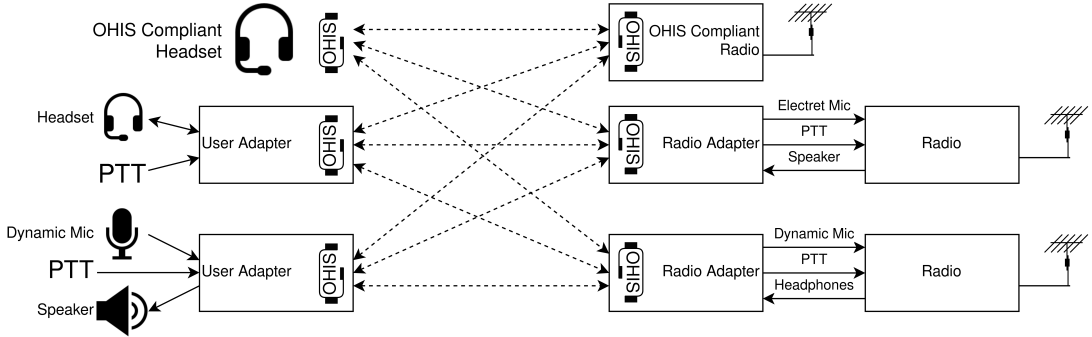


Example User Devices:



Example Radio Devices:



**User devices don't have to be actual headsets. Any device(s) that can send and receive audio, and trigger a PTT, can be an OHIS device. eg: a studio microphone and loud speaker, or a USB sound interface.**

**While OHIS adoption grows, until manufacturers adopt OHIS natively, we use adapters to convert from OHIS to whatever your radio or headset use. But, it's one adapter that stays with that radio/headset, and allows it to connect to any other OHIS compliant device.**

**Learn more at <https://ohis.org/>**